

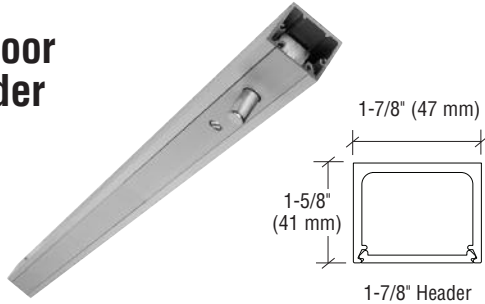
CRL Stock Size Narrow Headers

new

- Includes Snap-In Cover Plate and CRL9040WBP Walking Beam Pivot
- Available in Six Architectural Finishes
- Ready-to-Ship From CRL Inventory

- Standard Single and Double Door Sizes
- Custom Sizes Available on Special Order

36" Single Door Narrow Header



72" Double Door Narrow Header



Single and Double Door Narrow Headers are fabricated with our CRL9040WBP Walking Beam Pivots installed. Narrow Headers are carried in two stock sizes, and custom sizes can be special ordered. Snap-In Cover Plates allow for easy installation of the Narrow Header.

NOTE: Clad and Anodized Headers differ in size (see chart below).

36" (914 MM) SINGLE DOOR NARROW HEADER

CAT. NO.	SIZE W x H	FINISH
NH236SA	1-7/8" x 1-5/8" (47 x 41 mm)	Satin Anodized
NH236DU	1-7/8" x 1-5/8" (47 x 41 mm)	Black Bronze Anodized
NH236BL	1-7/8" x 1-5/8" (47 x 41 mm)	Black Powder Coat
NH236BS	2" x 1-11/16" (51 x 43 mm)	*Brushed Stainless
NH236PS	2" x 1-11/16" (51 x 43 mm)	*Polished Stainless
NH236PB	2" x 1-11/16" (51 x 43 mm)	*Polished Brass

72" (1829 MM) DOUBLE DOOR NARROW HEADER

CAT. NO.	SIZE W x H	FINISH
NH272SA	1-7/8" x 1-5/8" (47 x 41 mm)	Satin Anodized
NH272DU	1-7/8" x 1-5/8" (47 x 41 mm)	Black Bronze Anodized
NH272BL	1-7/8" x 1-5/8" (47 x 41 mm)	Black Powder Coat
NH272BS	2" x 1-11/16" (51 x 43 mm)	*Brushed Stainless
NH272PS	2" x 1-11/16" (51 x 43 mm)	*Polished Stainless
NH272PB	2" x 1-11/16" (51 x 43 mm)	*Polished Brass

Minimum order: 1 each. Finishes and sizes can be combined for quantity pricing. *Clad finish.

CRL Floating Headers for Overhead Concealed Door Closers



- For 1/2" (12 mm) Glass Only
- Ideal for Use on Jobs Where Cutting Into the Floor for a Floor Closer is Not an Option
- Available for Glass-to-Glass or Glass-to-Wall Installations With Overhead Concealed Door Closers or Pivots
- Stock 36" (914 mm) Single and 72" (1829 mm) Double Headers, With Custom Sizes Available
- Six Standard Architectural Finishes
- Custom Finishes Available on Special Order



Floating Headers for Overhead Concealed Door Closers were designed to allow the installation of single or double doors off of glass sidelites, with a transom above. Stock Floating Headers are fabricated for use in 1/2" (12 mm) glass-to-glass installations, and are prepared to accept CRL Overhead Concealed Door Closers and a 1/2" (12 mm) thick glass transom.

Custom Floating Headers cover the rest of the offered configurations, including various glass thicknesses, Headers in custom lengths, glass-to-wall configurations, and Headers prepped for surface mounted magnetic locks, magnetic shear locks, a surface mounted top pivot, a walking beam pivot or an overhead concealed door closer.

APPLICATION TIP:

For jobs where floor closers are not an option due to special finishes or minimal floor thickness the CRL Floating Header for Overhead Concealed Door Closers is the ideal solution.



STOCK FLOATING HEADERS

For 1/2" (12 mm) glass-to-glass installations, and prepped for Overhead Concealed Door Closers

SINGLE 36" CAT. NO.	DOUBLE 72" CAT. NO.	SIZE W x H	FINISH
FH4SAS	FH4SAD	4" x 1-3/4" (101.6 x 44.5 mm)	Satin Anodized
FH4DUS	FH4DUD	4" x 1-3/4" (101.6 x 44.5 mm)	Black Bronze Anodized
FH4BLS	FH4BLD	4" x 1-3/4" (101.6 x 44.5 mm)	Black Powder Coat
FH4BSS	FH4BSD	4-3/16" x 1-7/8" (106.4 mm x 47.6 mm)	*Brushed Stainless
FH4PSS	FH4PSD	4-3/16" x 1-7/8" (106.4 mm x 47.6 mm)	*Polished Stainless
FH4PBS	FH4PBD	4-3/16" x 1-7/8" (106.4 mm x 47.6 mm)	*Polished Brass

Minimum order: 1 each. Finishes and sizes can be combined for quantity pricing. *Clad finish.