

CRL Shallow Depth Floor Mounted Door Closers



- 264 Lb. Capacity, 42" Doors
- Low Profile 1-9/16" (40 mm) Depth
- Interchangeable Spindle Heights
- 5 Year Limited Warranty
- UL Listed

These Shallow Depth Floor Mounted Door Closers are preferred for many types of installations because they only require a shallow 1-9/16" (40 mm) cut-out in the floor. This is especially important on floors above the ground floor. The shallow cut-out leaves enough remaining floor under the Door Closer to support the door weight. The Door Closer has separate valves to control closing and latching speeds. Both 90 degree and 105 degree Hold Open and No Hold Open models are available.

The 1/8" (3 mm) collar height Spindle is supplied with the door closer, providing a 5/16" (8 mm) clearance from finished floor to door bottom. Optional Spindles to accommodate different finished floor heights are also available (see page 468H). Other accessories, such as Cover Plates, Pivots, Center-Hung and Offset Arms are also available. See pages 468H to 469H.

NOTE: An auxiliary floor or overhead door stop is recommended to prevent possible damage to both the door closer and entryway due to over-extension of maximum allowable door swing.

SPECIFICATIONS:

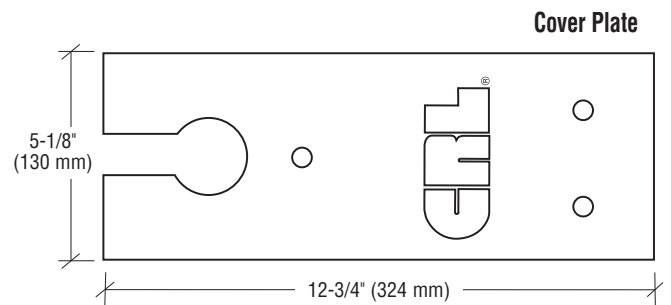
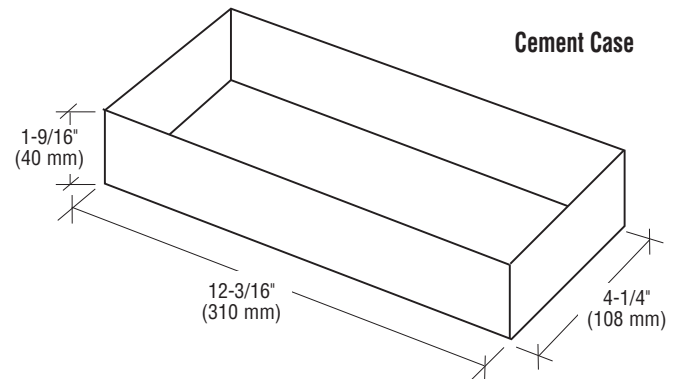
- Maximum Door Weight:** 264 lbs. (120 kg)
- Maximum Interior Door Width:** 42" (1067 mm)
- Maximum Exterior Door Width:** 38" (965 mm)



SHALLOW DEPTH FLOOR MOUNTED DOOR CLOSERS

CAT. NO.	SPRING SIZE	TYPE
CRL8360	Medium	90° Hold Open
CRL8370	Medium	105° Hold Open
CRL8372	Medium	105° No Hold Open

Minimum order: 1 each. All Door Closers can be combined for quantity pricing.



COVER PLATES

CAT. NO.	FINISH
CRL83CPBS	*Brushed Stainless Steel
CRL83CPPB	Polished Brass
CRL83CPPS	Polished Stainless Steel

Minimum order: 1 each. * Supplied with 8300 Series Floor Closers.

For a complete list of accessories, such as Cover Plates, Pivots, Center-Hung and Offset Arms, see pages 468H to 469H.