

CRL HINGES FOR 1/4" OR 1/2" (6 OR 12 MM) GLASS

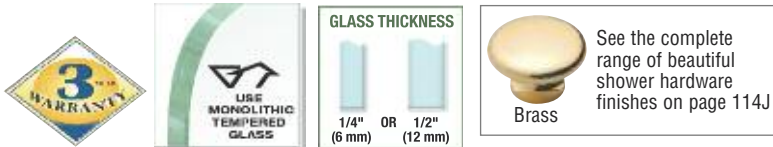
For Pricing Visit crlaurence.com or Call Us Toll Free at the Phone Numbers Shown on the Back Cover

CRL Senior and Junior Prima Series

- Versions of Our Family of Prima Series Hinges, But for 1/2" (12 mm) or 1/4" (6 mm) Thick Glass
- Senior Prima Hinge is Adaptable to Our Deluxe Header System Shown on Pages 304J-307J
- Junior Prima Hinge is Adaptable to Our Junior Header System Shown on Page 309J
- Two Model Types in Many Popular Stock Finishes



Advantages of Senior and Junior Prima Hinges include the fact that they carry the majority of the weight on the bottom, and have the ability to be inset from the wall, enabling clearance for towel bars and other projections. The Glass-to-Glass Mount Pivot Hinge is used for doors having fixed transoms. When placed vertically either style can be used in movable transom installations. These Pivot Hinges are self-centering, with four springs for maximum retention strength. The Senior Prima Series is adaptable to our Deluxe Header System (see pages 304J-307J). The Junior Prima Series is adaptable to our Junior Header Kit (see page 309J).



SPECIFICATIONS

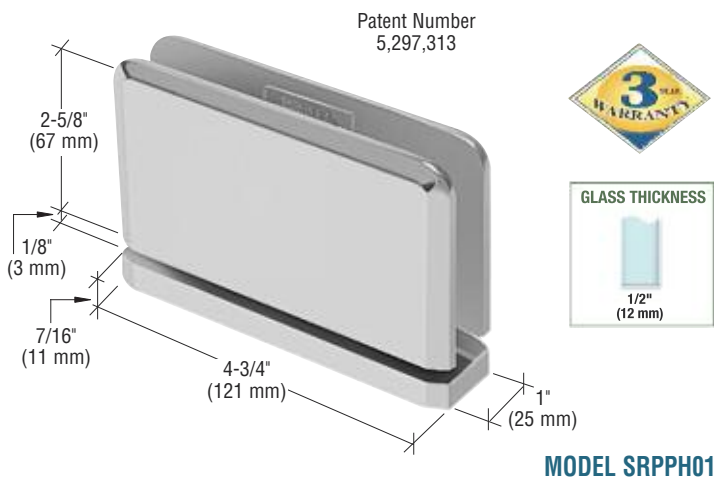
Glass Thickness Range: Senior Prima: 1/2" (12 mm); Junior Prima: 1/4" (6 mm) Tempered Safety Glass
Special Features: Top and Bottom Mount allows more glass exposure. Can also save on glass fabrication costs when compared against use of Side Mount Glass-to-Glass Hinges requiring more cut-outs
Construction: Solid Brass
Hinge Swings: Full Rotation
Closing Type: Self-Centering When Within 15 Degrees of Closed Position
Cut-Out Required
Includes: Gaskets, Phillips Screws, Allen Screws, and Glass Fabrication Dimensions

*MAXIMUM CAPACITIES	SENIOR PRIMA 1/2" (12 MM) GLASS		JUNIOR PRIMA 1/4" (6 MM) GLASS	
	WEIGHT	DOOR WIDTH	WEIGHT	DOOR WIDTH
Using Two Hinges	145 lbs/66 kg	36"/914 mm	62 lbs/28 kg	28"/711 mm

* NOTE: Do not exceed maximum weight or width.



Senior Prima Top or Bottom Mount



CAT. NO.	FINISH
SRPPH01CH	Polished Chrome
SRPPH01SC	Satin Chrome (Matte)
SRPPH01BSC	Brushed Satin Chrome
SRPPH01BN	Brushed Nickel
SRPPH01PN	Polished Nickel
SRPPH01SN	Satin Nickel
SRPPH01ABN	Antique Brushed Nickel
SRPPH01BR	Polished Brass
SRPPH01SB	Satin Brass
SRPPH01ABR	Antique Brass
SRPPH01ORB	Oil Rubbed Bronze
SRPPH01ABRZ	Antique Bronze
SRPPH01BBRZ	Brushed Bronze
SRPPH01ABCO	Antique Brushed Copper
SRPPH01GP	Gold Plated
SRPPH01GM	Gun Metal
SRPPH01WC	White/Chrome Screws
SRPPH01BL	Black/Chrome Screws

Minimum order: 1 each. All Frameless Shower Door Hinges can be combined for quantity pricing. Other finishes available on special order. NOTE: All Shower Door Hinges are sold by the each, not in pairs. Be sure to order a minimum of two each hinges to install one door.