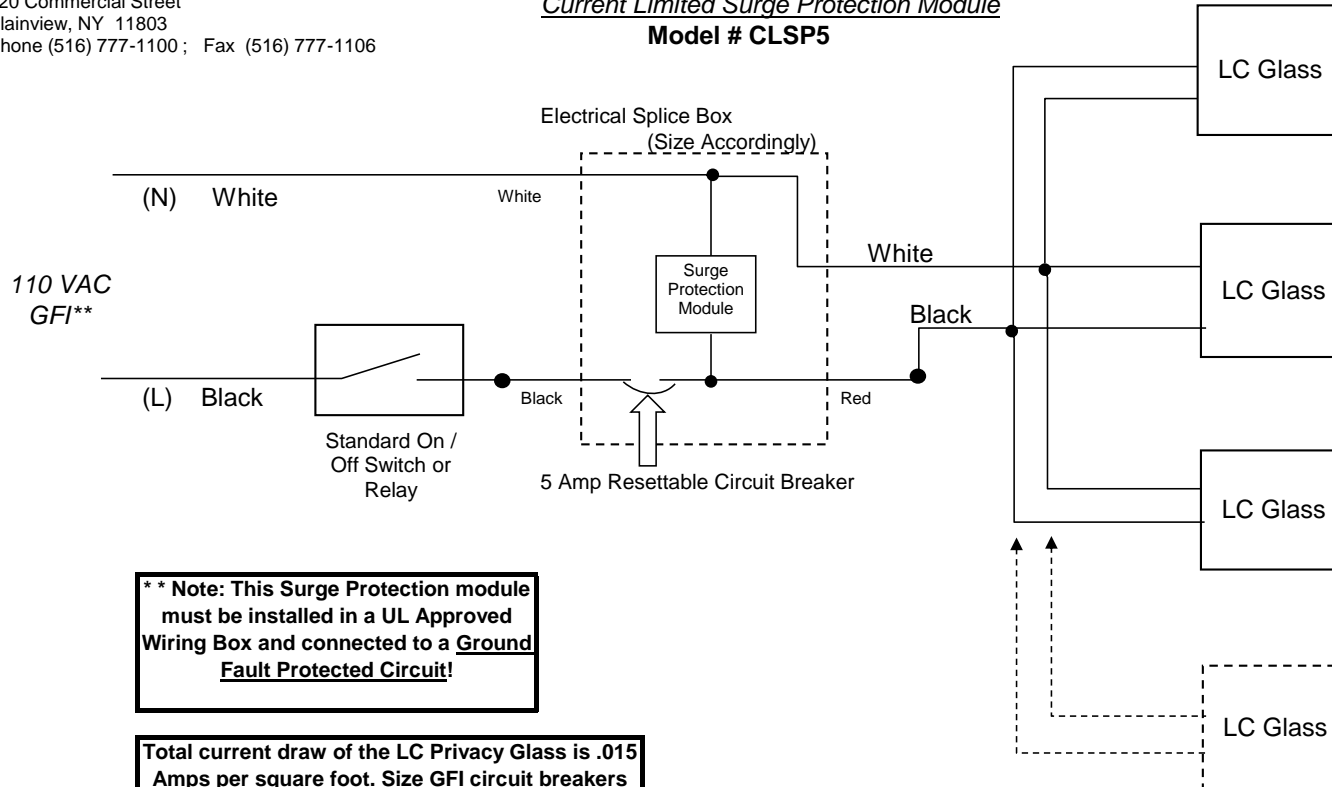




Innovative Glass Corporation
 120 Commercial Street
 Plainview, NY 11803
 Phone (516) 777-1100; Fax (516) 777-1106

Wiring Schematic for LC Privacy Glass

Basic On/Off Switch &
 Current Limited Surge Protection Module
 Model # CLSP5



**** Note: This Surge Protection module must be installed in a UL Approved Wiring Box and connected to a Ground Fault Protected Circuit!**

Total current draw of the LC Privacy Glass is .015 Amps per square foot. Size GFI circuit breakers accordingly.

Current Draw Example:

- 10 ft x 10 ft = 100 sq feet @ .015 A = 1.5 Amps
- 10 ft x 50 ft = 500 sq feet @ .015 A = 7.5 Amps
- 10 ft x 100 ft = 1000 sq feet @ .015A = 15 Amps

The Current limited Surge Protector Module is capable of servicing up to **250** square feet of LC Privacy Glass. **DO NOT OVERLOAD!**

All LC Privacy Glass runs on 110 VAC / 50-60 Hz, and all wiring should be installed in min of 3/8" trade size Greenfield.

Innovative Glass Corp.
 Jan 3, 2007