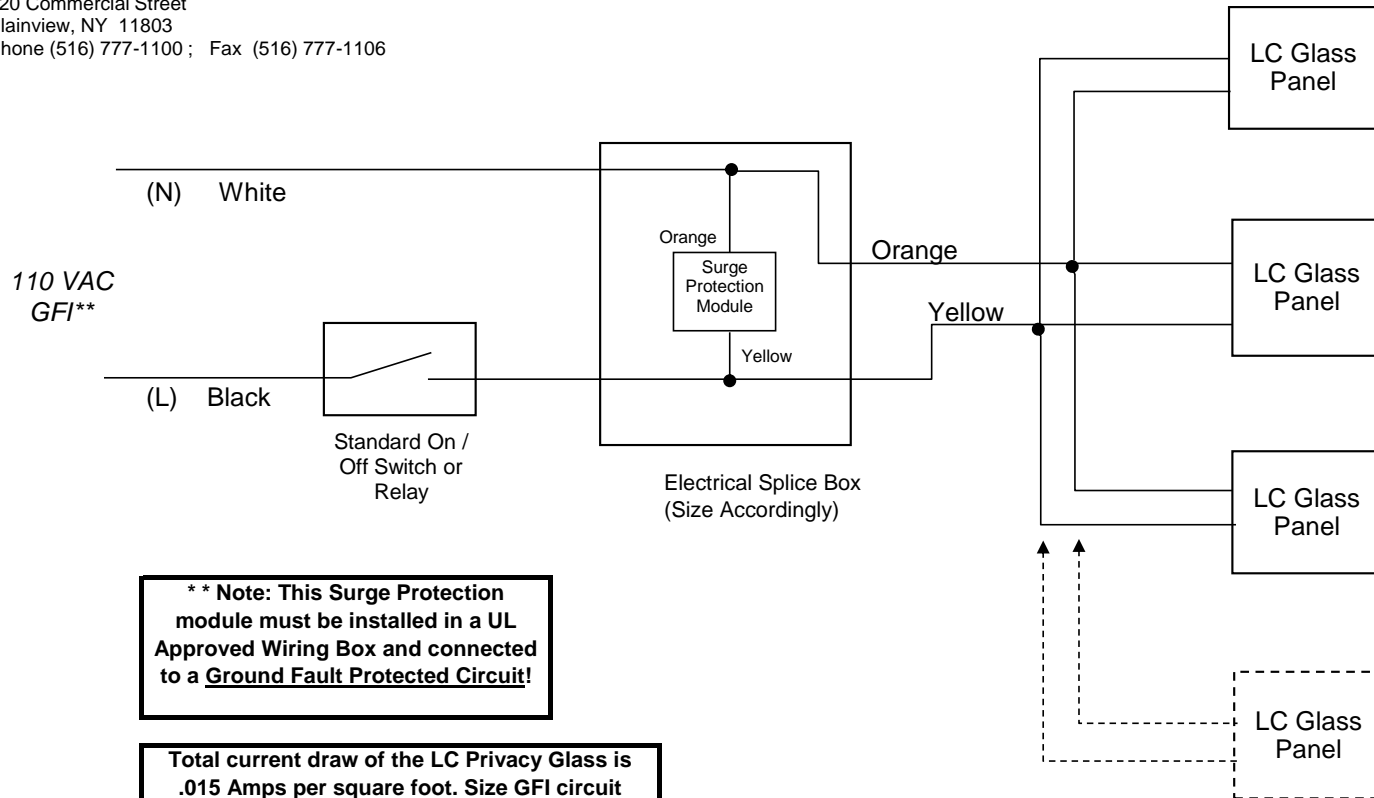




Innovative Glass Corporation
120 Commercial Street
Plainview, NY 11803
Phone (516) 777-1100 ; Fax (516) 777-1106

Wiring Schematic for LC Glass

(Basic On/Off Switch)



**** Note: This Surge Protection module must be installed in a UL Approved Wiring Box and connected to a Ground Fault Protected Circuit!**

Total current draw of the LC Privacy Glass is .015 Amps per square foot. Size GFI circuit breakers accordingly.
Current Draw Example:
10 ft x 10 ft = 100 sq feet @ .015 A = 1.5 Amps
10 ft x 50 ft = 500 sq feet @ .015 A = 7.5 Amps
10 ft x 100 ft = 1000 sq feet @ .015A = 15 Amps

The Surge Protector Module is capable of servicing up to 1000 sq feet of LC Privacy Glass.

All LC Privacy Glass runs on 110 VAC / 50-60 Hz, and all wiring should be installed in min of 5/16" trade size Greenfield.